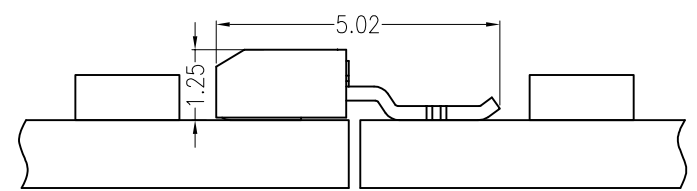
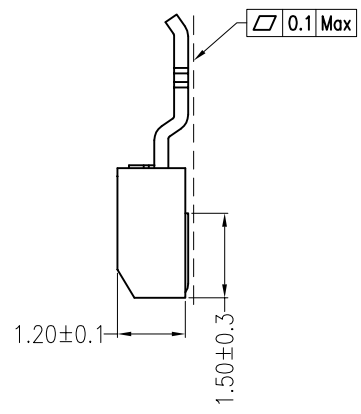
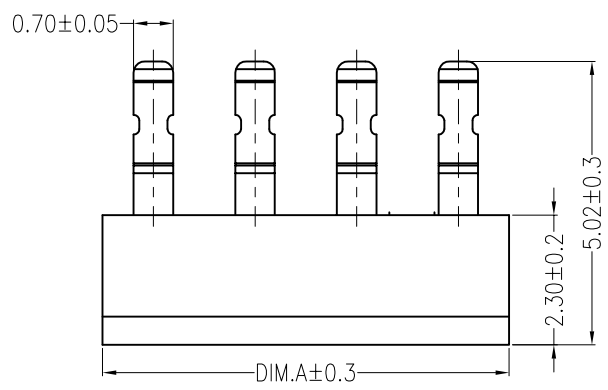


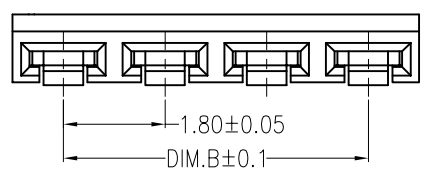
REV	DESCRIPTION	DESIGN	DATE
A0	Release	吴丹平	2016.04.30



Assembly Layout

主要技术参数 Main Specifications

- 线 数 (Poles): 02 to 04
- 接触电阻 (Contact resistance): $\leq 20m\Omega$
- 绝缘电阻 (Insulation resistance): $\geq 1000M\Omega$
- 额定电压 (Rated voltage): 125V AC DC
- 额定电流 (Rated current): 1.0A AC DC
- 耐 电压 (Withstand Voltage): 1000V AC/minute
- 温度范围 (Temperature Range): $-25^{\circ}C \sim +105^{\circ}C$



Circuit	Dimensions (mm)	
	DIM. A	DIM. B
02	3.60	1.80
03	5.40	3.60
04	7.20	5.40

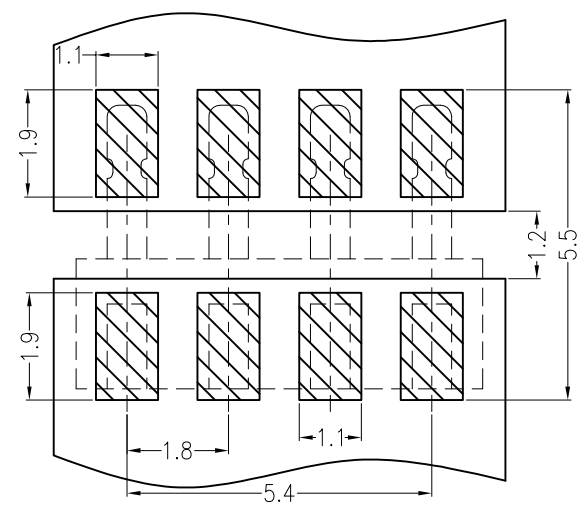
ORDER INFORMATION:

L030--F2MB-R**

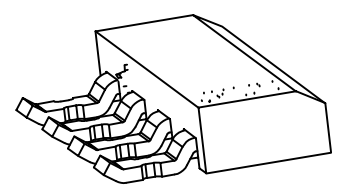
PART No. _____
 No. FOR CIRCUITS: _____
 02-04
 PLASTIC MATERIAL: _____
 F2M=LCP (BEIGE)

PACKAGING:
 P=PE
 R=REEL

PLATING:
 B=MATTE Sn



Board Layout



ITEM	COMPONENT	Q'TY	MATERIAL	FINISH
C				
B	CONTACT	2~4 PCS	PhosphorBronze	MATTE Sn-plated
A	PEDESTAL	1 PCS	LCP	UL 94V-0, COLOR:BEIGE

东莞市高迪电子有限公司
DONG GUAN GAO DI ELECTRONICS CO., LTD

TITLE: -
 1.8mmPITCH 180°WAFER SMT TYPE

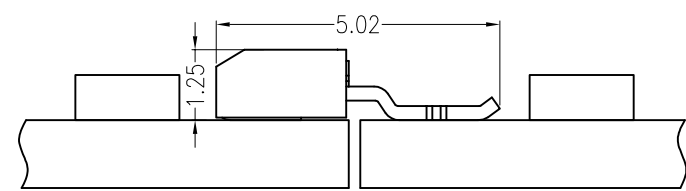
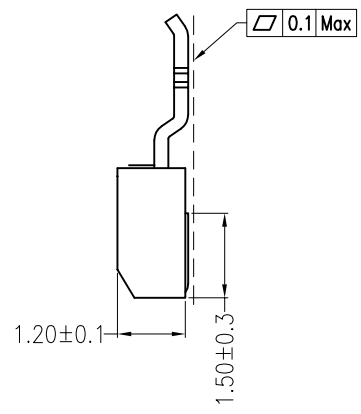
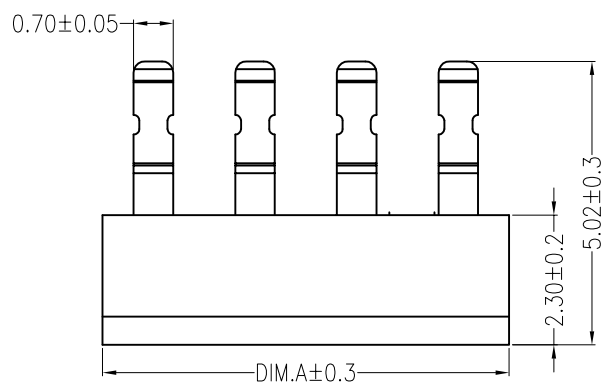
USE: CUSTOMER
 APPD: 周秀龙
 CHKD: 田峰
 DR: 蒋建银

PART NO.: L030-**-F2MB-R
 DWG NO.: GCCP-0054

SCALE: 1 : 1
 SHEET: 1 / 1

UNITS: mm

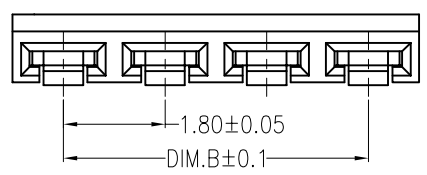
REV	DESCRIPTION	DESIGN	DATE
A0	Release	吴丹平	2016.04.30



Assembly Layout

主要技术参数 Main Specifications

- 线 数 (Poles): 02 to 04
- 接触电阻 (Contact resistance): $\leq 20m\Omega$
- 绝缘电阻 (Insulation resistance): $\geq 1000M\Omega$
- 额定电压 (Rated voltage): 125V AC DC
- 额定电流 (Rated current): 1.0A AC DC
- 耐 电压 (Withstand Voltage): 1000V AC/minute
- 温度范围 (Temperature Range): $-25^{\circ}C \sim +105^{\circ}C$



Circuit	Dimensions (mm)	
	DIM. A	DIM. B
02	3.60	1.80
03	5.40	3.60
04	7.20	5.40

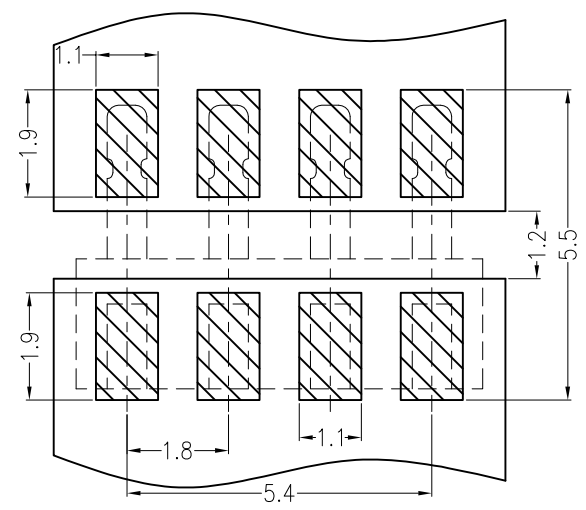
ORDER INFORMATION:

L030--F2MB-R**

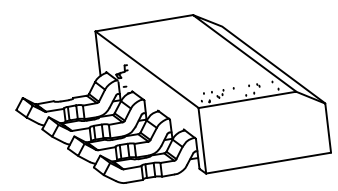
PART No. _____
 No. FOR CIRCUITS: _____
 02-04
 PLASTIC MATERIAL: _____
 F2M=LCP (BEIGE)

PACKAGING:
 P=PE
 R=REEL

PLATING:
 B=MATTE Sn



Board Layout



ITEM	COMPONENT	Q'TY	MATERIAL	FINISH
C				
B	CONTACT	2~4 PCS	PhosphorBronze	MATTE Sn-plated
A	PEDESTAL	1 PCS	LCP	UL 94V-0, COLOR:BEIGE

东莞市高迪电子有限公司
DONG GUAN GAO DI ELECTRONICS CO., LTD

USE: CUSTOMEP
 APPD: 周秀龙
 CHKD: 田峰
 DR: 蒋建银

UNITS: mm

TITLE: -
 1.8mmPITCH 180*WAFER SMT TYPE

PART NO.: L030-**-F2MB-R
 DWG NO.: GCCP-0054

SCALE: 1 : 1
 SHEET: 1 / 1